

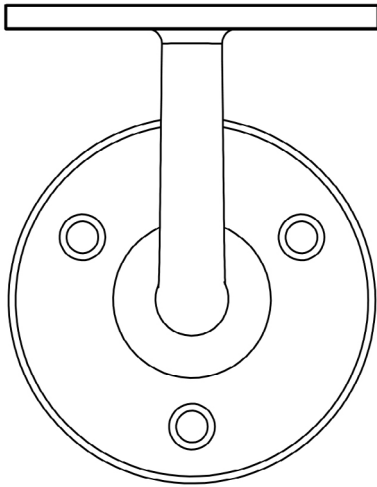
CODE

JV95B

DESCRIPTION

Handrail Bracket

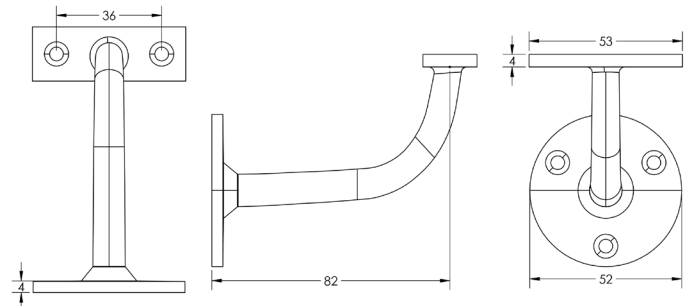
STANDARDS



PRODUCT SPECIFICATION

- Zinc

TECHNICAL DRAWING



FINISHES

- Matt Black
- Polished Chrome
- Satin Chrome
- Satin Nickel