

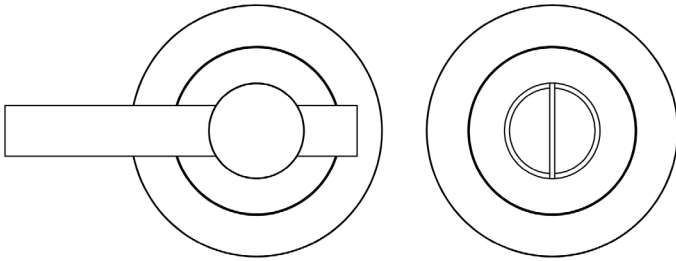
CODE

JV856

DESCRIPTION

Turn & Release

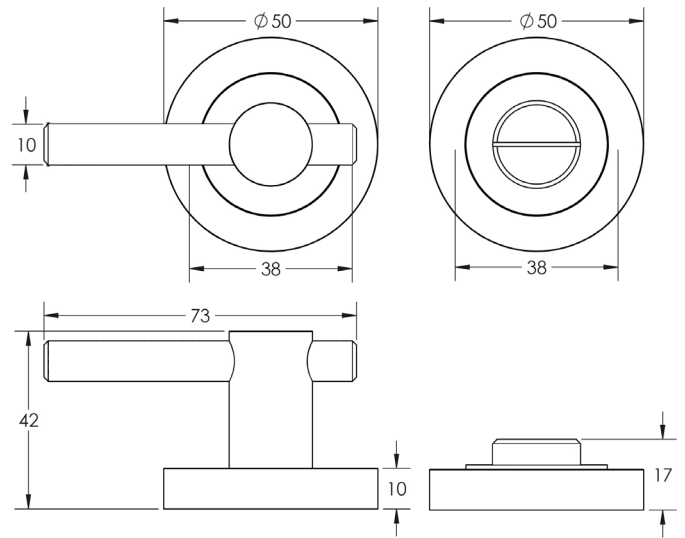
STANDARDS



PRODUCT SPECIFICATION

- Aluminium

TECHNICAL DRAWING



FINISHES

- Antique Brass
- Dark Bronze
- Matt Black
- Polished Chrome
- Satin Brass
- Satin Nickel