

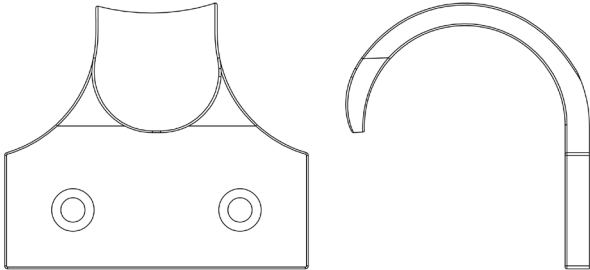
### CODE

JV84

### DESCRIPTION

Sash Lift

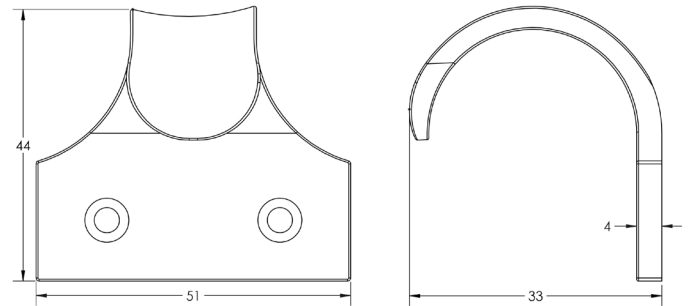
### STANDARDS



### PRODUCT SPECIFICATION

- Brass

### TECHNICAL DRAWING



### FINISHES

- Antique Brass
- Dark Bronze
- Polished Brass
- Polished Chrome
- Polished Nickel
- Satin Brass
- Satin Chrome
- Satin Nickel