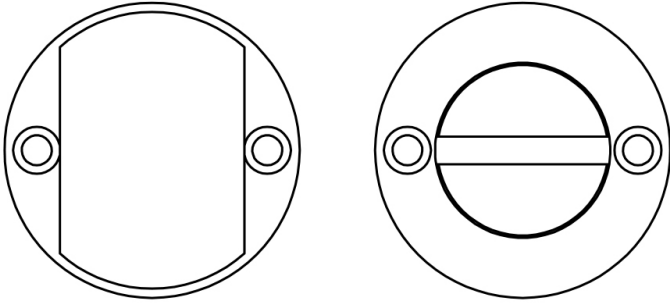


JEDO COLLECTION



TECHNICAL SPECIFICATION

CODE

JV813

DESCRIPTION

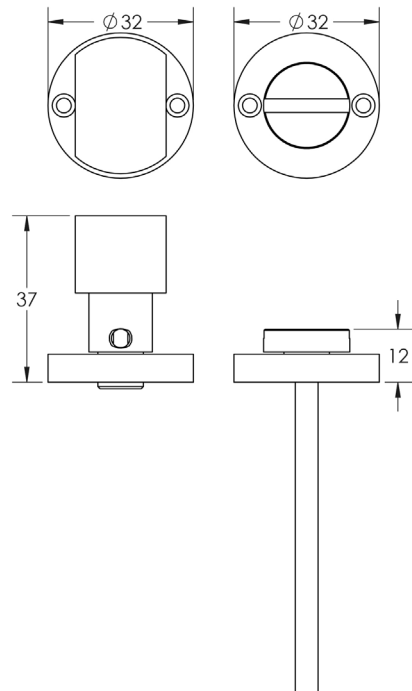
Turn & Release

STANDARDS

PRODUCT SPECIFICATION

- Aluminium

TECHNICAL DRAWING



FINISHES

- Antique Brass
- Dark Bronze
- Matt Black
- Polished Chrome
- Satin Brass
- Satin Nickel