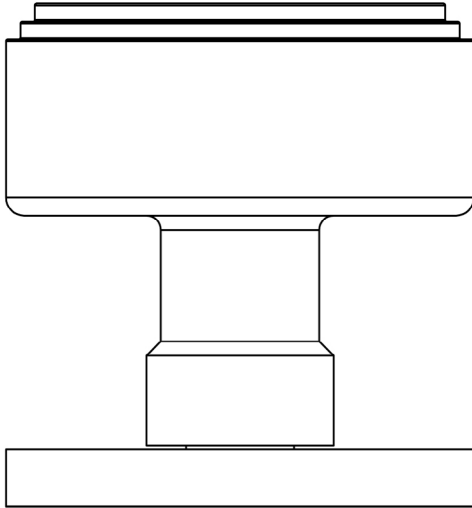


JEDO COLLECTION



CODE

Step Mortise Knob

DESCRIPTION

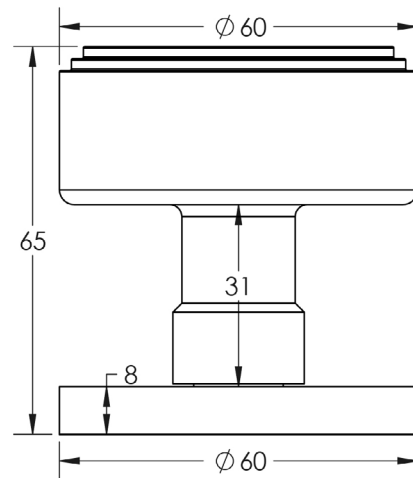
JV804

STANDARDS

PRODUCT SPECIFICATION

- Aluminium
- Grade 4 corrosion
- Unsprung
- *We strongly recommend requesting a sample before committing to any cutting or drilling*

TECHNICAL DRAWING



FINISHES

- Antique Brass
- Dark Bronze
- Matt Black
- Polished Chrome
- Satin Brass
- Satin Nickel