

DUAL RANGE

## TECHNICAL SPECIFICATION

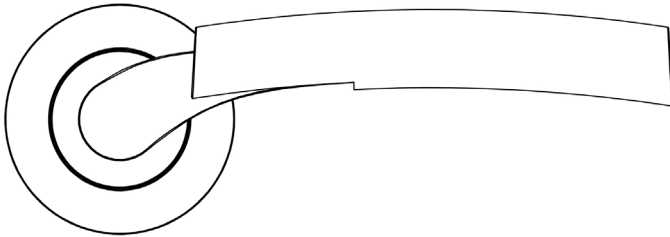
### CODE

JV760

### DESCRIPTION

Arkus Lever On Rose

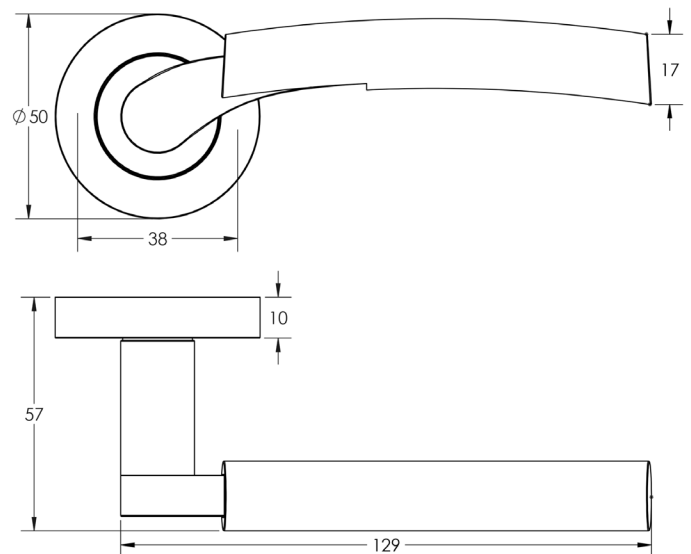
### STANDARDS



### PRODUCT SPECIFICATION

- Sprung lever
- Zinc
- Grade 3 corrosion

### TECHNICAL DRAWING



### FINISHES

- Polished Chrome / Polished Black Nickel
- Polished Chrome / Satin Chrome