

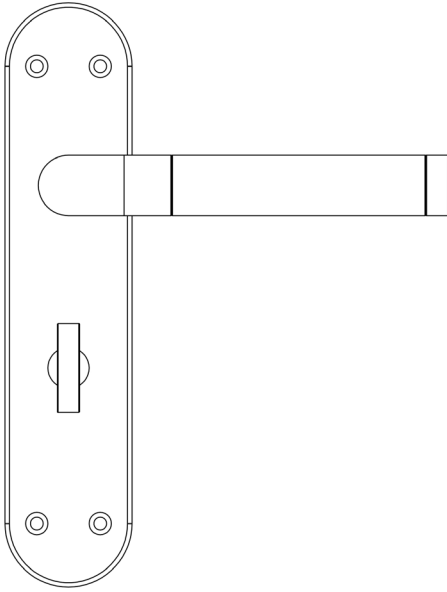
CODE

JV433

DESCRIPTION

Twin Suite - Bathroom

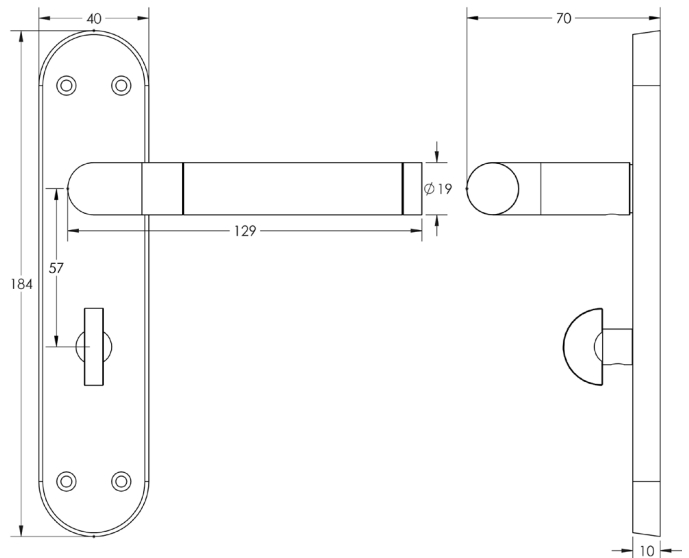
STANDARDS



PRODUCT SPECIFICATION

- Sprung
- Zinc

TECHNICAL DRAWING



FINISHES

- Polished Chrome / Satin Chrome