

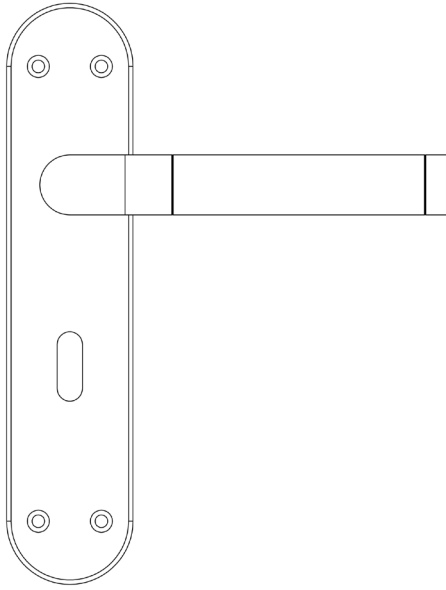
CODE

JV431

DESCRIPTION

Twin Suite - Lockset

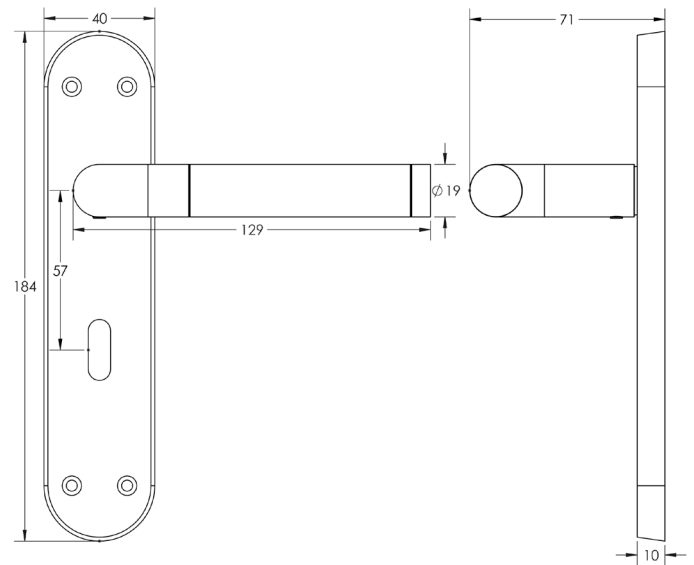
STANDARDS



PRODUCT SPECIFICATION

- Sprung
- Zinc

TECHNICAL DRAWING



FINISHES

- Polished Chrome / Satin Chrome