

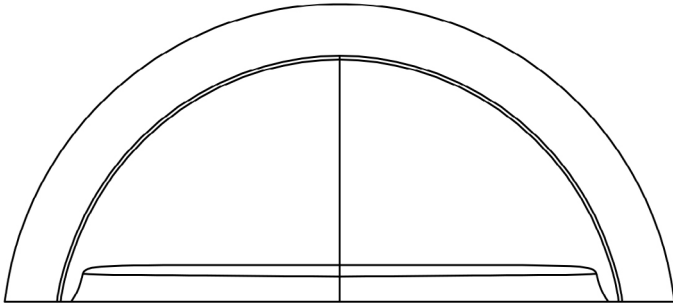
CODE

JMB427 / JV427

DESCRIPTION

Cup Pull

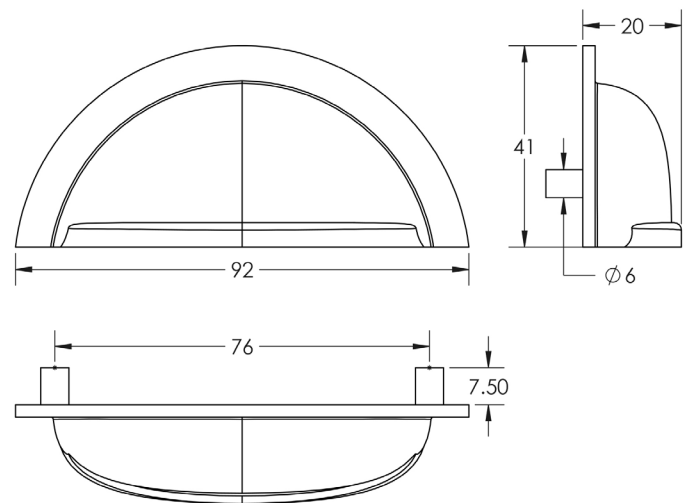
STANDARDS



PRODUCT SPECIFICATION

- Zinc
- Internal use only

TECHNICAL DRAWING



FINISHES

- Antique Brass - JV Code
- Matt Black - JMB Code
- Polished Nickel - JV Code
- Satin Nickel - JV Code