

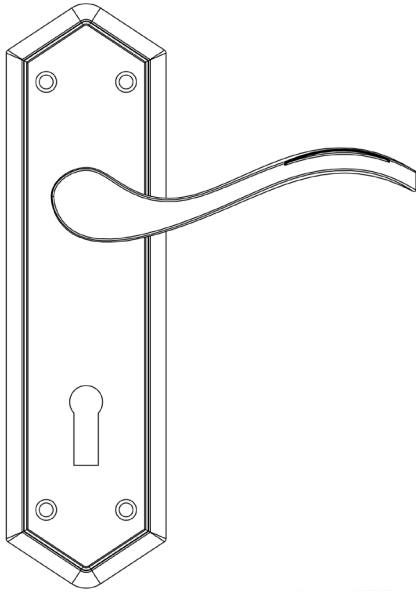
CODE

JV280

DESCRIPTION

Paris Suite - Lockset

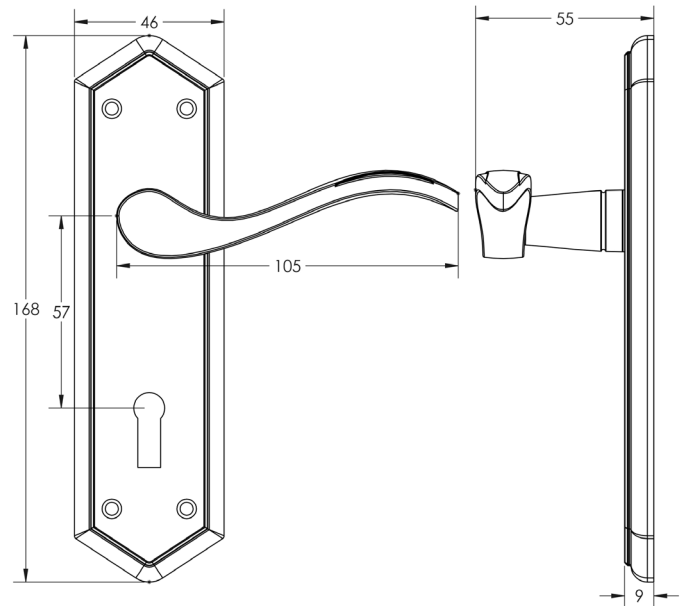
STANDARDS



PRODUCT SPECIFICATION

- Sprung
- Zinc

TECHNICAL DRAWING



FINISHES

- Antique Brass
- Polished Chrome
- PVD Brass
- Satin Chrome