

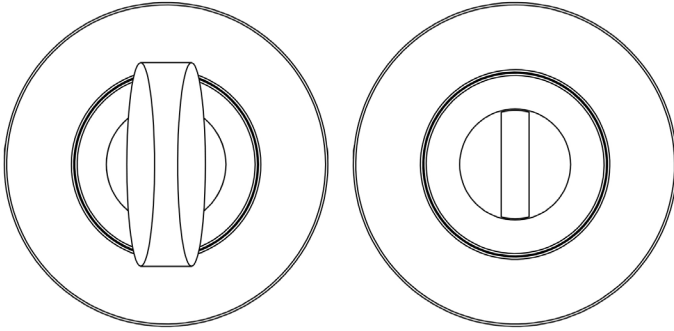
CODE

JV2777 - Zinc

DESCRIPTION

Turn & Release

STANDARDS



PRODUCT SPECIFICATION

- Zinc

FINISHES

- Polished Chrome
- PVD Brass
- Satin Chrome
- Satin Nickel

TECHNICAL DRAWING

