

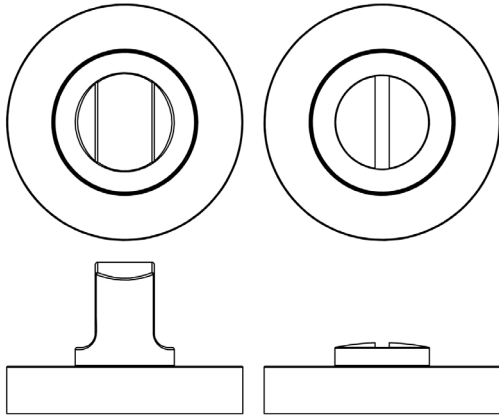
CODE

JV2666

DESCRIPTION

Turn & Release

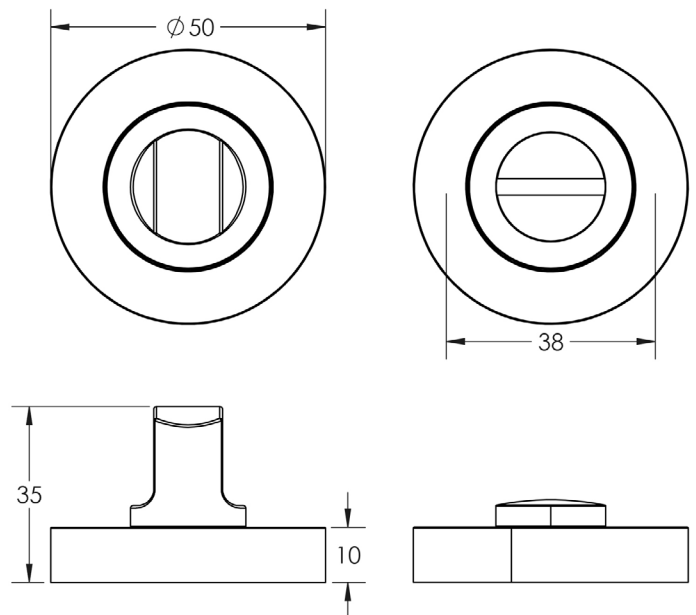
STANDARDS



PRODUCT SPECIFICATION

- Zinc
- 38mm centres
- 5mm spindle

TECHNICAL DRAWING



FINISHES

- Antique Brass
- Dark Bronze
- Polished Brass / Satin Chrome
- Polished Chrome / Polished Black Nickel
- Polished Chrome / Satin Chrome
- Polished Chrome / Satin Nickel
- Polished Chrome
- PVD Brass
- Rustic
- Satin Brass
- Satin Chrome
- Satin Chrome / Polished Brass
- Satin Nickel
- Tin