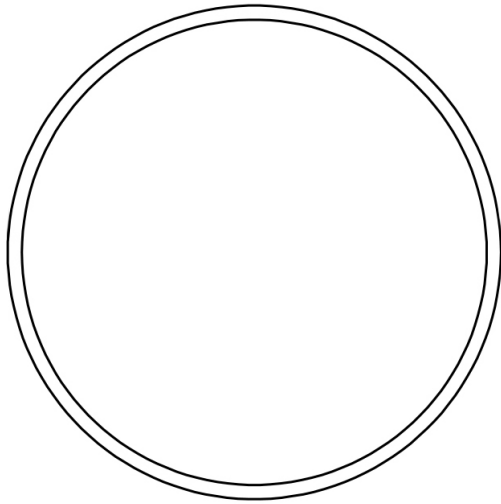


COMMERCIAL
STAINLESS STEEL



CODE

JSS9B

DESCRIPTION

Blank Escutcheon - Round

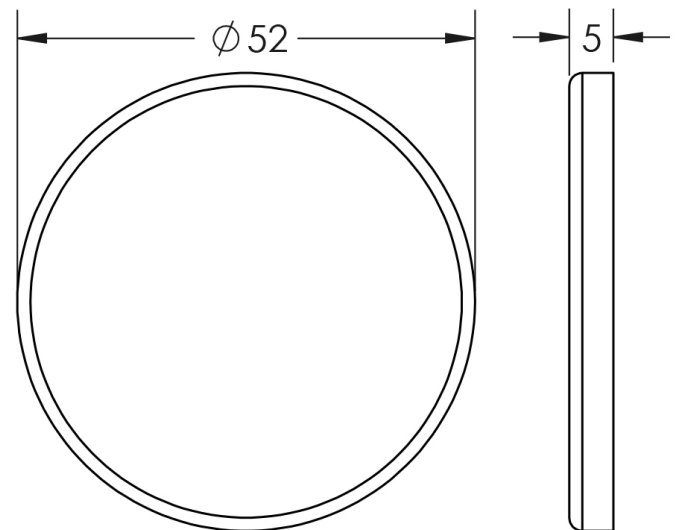
STANDARDS



PRODUCT SPECIFICATION

- Grade 5 corrosion

TECHNICAL DRAWING



FINISHES

- Satin Stainless Steel