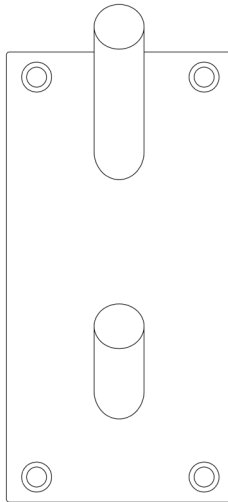


COMMERCIAL
STAINLESS STEEL



CODE

JSS901B

DESCRIPTION

Hat & Coat Hook

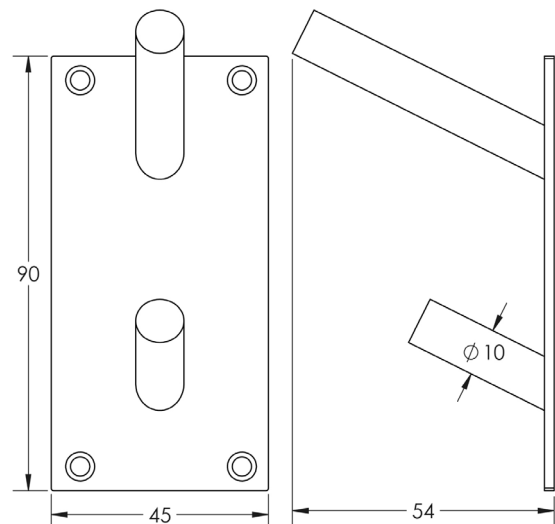
STANDARDS



PRODUCT SPECIFICATION

- *We strongly recommend requesting a sample before committing to any cutting or drilling*

TECHNICAL DRAWING



FINISHES

- Satin Stainless Steel