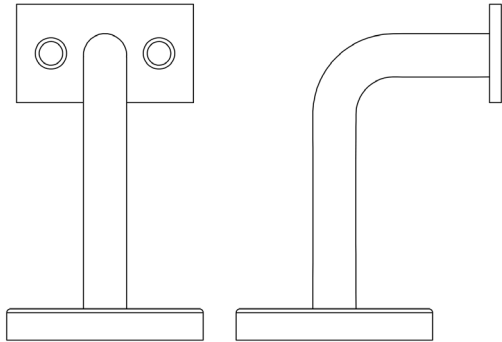


COMMERCIAL
STAINLESS STEEL



CODE

JSS85H

DESCRIPTION

Handrail Bracket

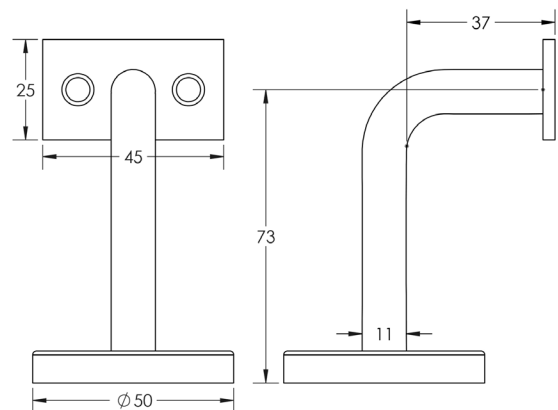
STANDARDS



PRODUCT SPECIFICATION

- *We strongly recommend requesting a sample before committing to any cutting or drilling*

TECHNICAL DRAWING



FINISHES

- Satin Stainless Steel