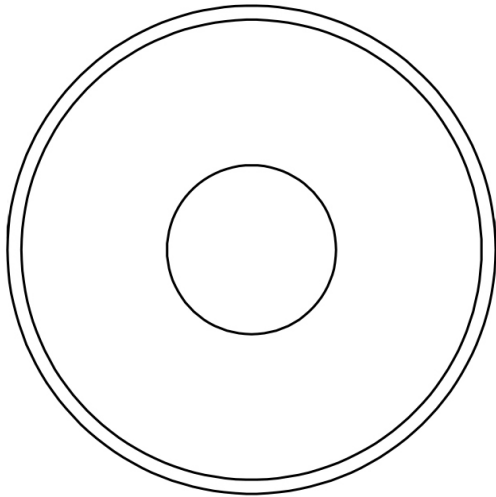


COMMERCIAL
STAINLESS STEEL



CODE

JSS60B

DESCRIPTION

Indicator Rose Cover

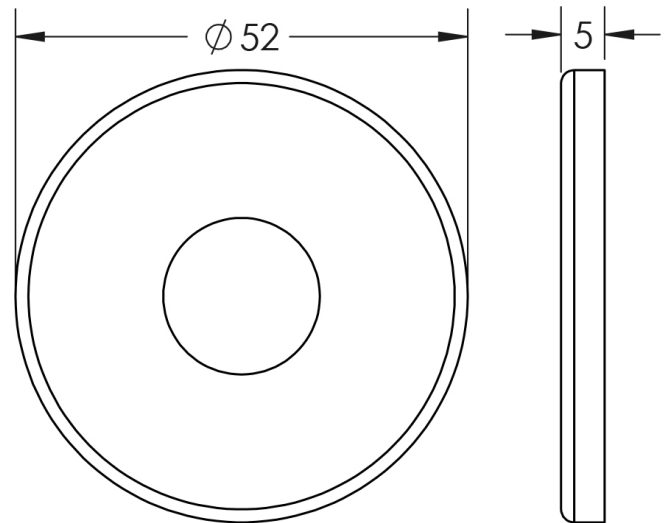
STANDARDS



PRODUCT SPECIFICATION

- Suits all round, grade 304 turn & releases
- Grade 5 corrosion

TECHNICAL DRAWING



FINISHES

- Satin Stainless Steel