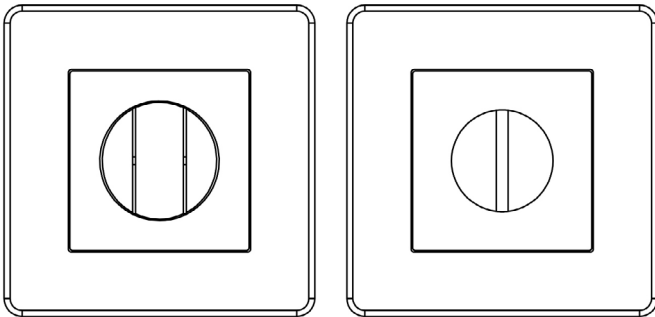


COMMERCIAL
STAINLESS STEEL



CODE

JSS54

DESCRIPTION

Turn & Release - Square

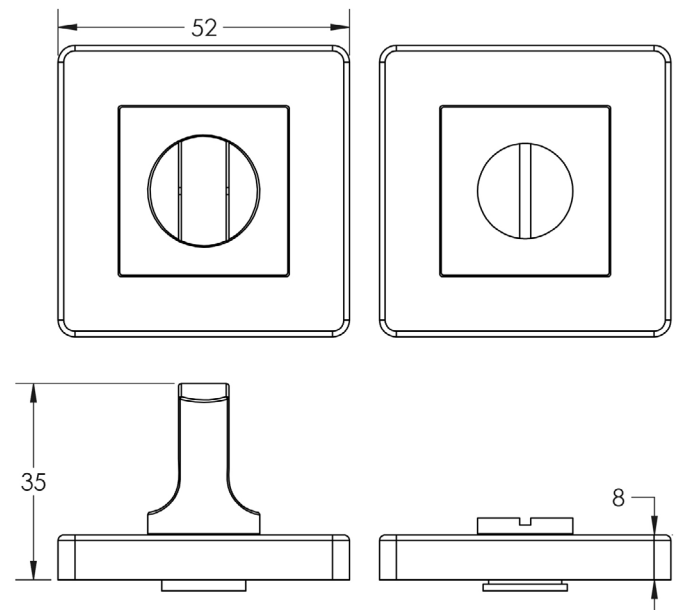
STANDARDS



PRODUCT SPECIFICATION

- Grade 5 corrosion

TECHNICAL DRAWING



FINISHES

- Satin Stainless Steel