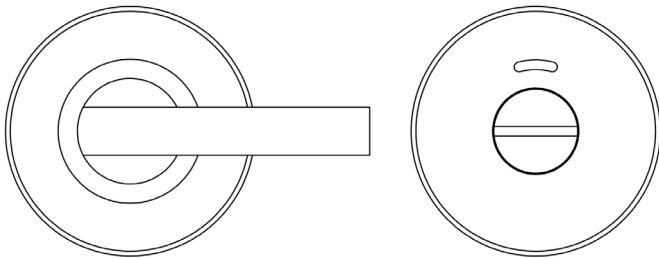


COMMERCIAL
STAINLESS STEEL



CODE

JSS354

DESCRIPTION

Easy Turn & Release - Round, With Indicator

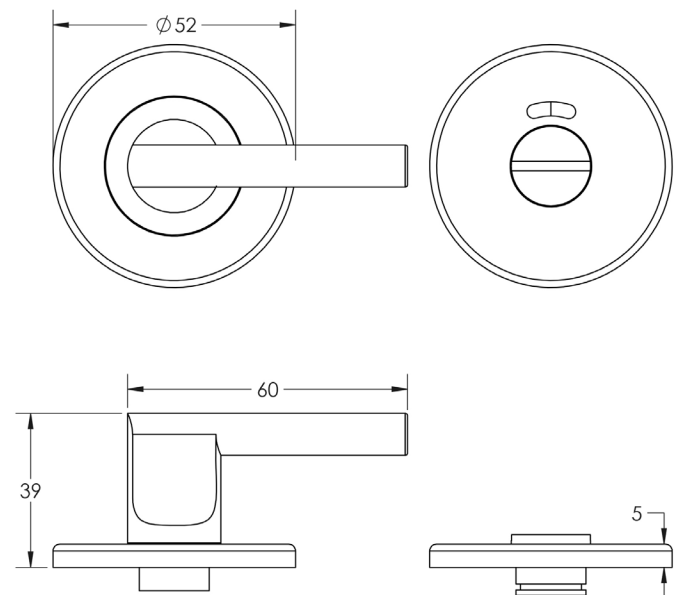
STANDARDS



PRODUCT SPECIFICATION

- Indicator rose
- Grade 5 corrosion

TECHNICAL DRAWING



FINISHES

- Satin Stainless Steel