

**COMMERCIAL**  
**STAINLESS STEEL**

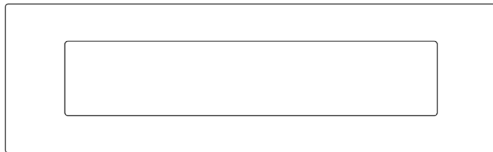
CODE

JSS3009

DESCRIPTION

Letter Plate

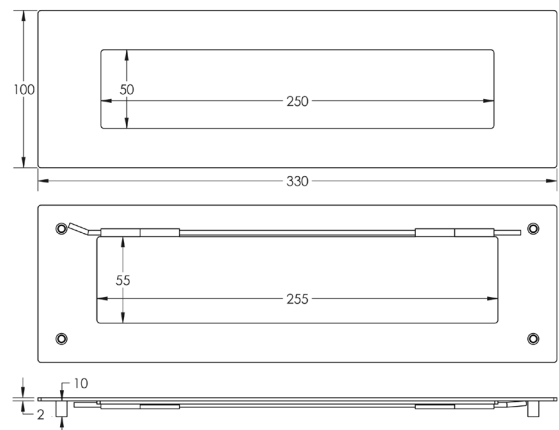
STANDARDS



PRODUCT SPECIFICATION

- Grade 5 corrosion
- *We strongly recommend requesting a sample before committing to any cutting or drilling*

TECHNICAL DRAWING



FINISHES

- Satin Stainless Steel