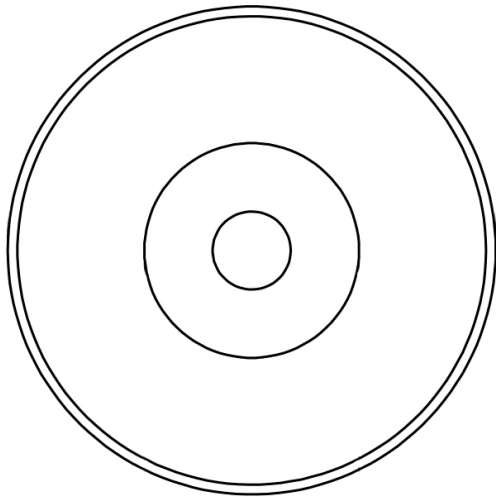


COMMERCIAL
STAINLESS STEEL



CODE

JSS25

DESCRIPTION

Pull Handle Rose

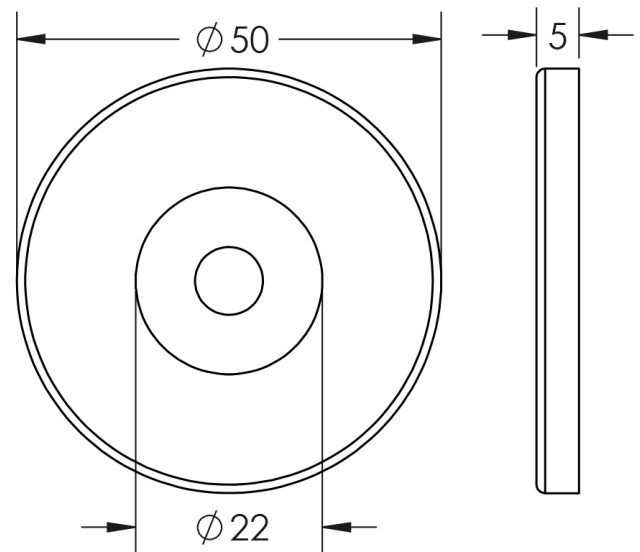
STANDARDS



PRODUCT SPECIFICATION

- To suit all grade 304 'D Shape' and 'Guardman' pull handles

TECHNICAL DRAWING



FINISHES

- Satin Stainless Steel