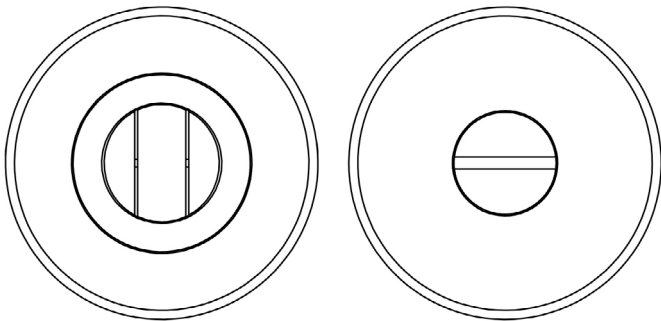


COMMERCIAL
STAINLESS STEEL



CODE

JSS225

DESCRIPTION

Turn & Release - Round, No Indicator

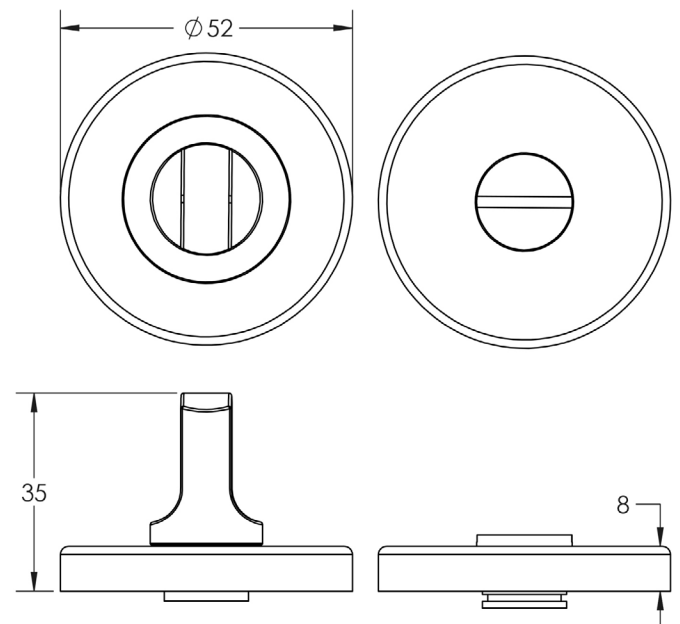
STANDARDS



PRODUCT SPECIFICATION

- No indicator
- Grade 5 corrosion

TECHNICAL DRAWING



FINISHES

- Satin Stainless Steel