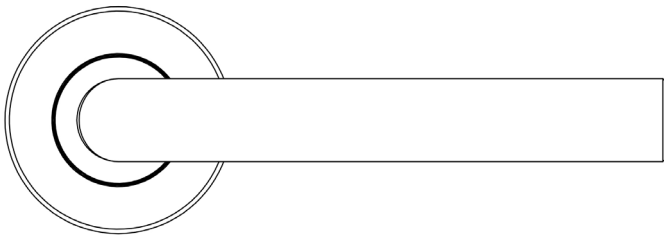


COMMERCIAL
STAINLESS STEEL



CODE

JSS204

DESCRIPTION

Mitred Lever On Rose

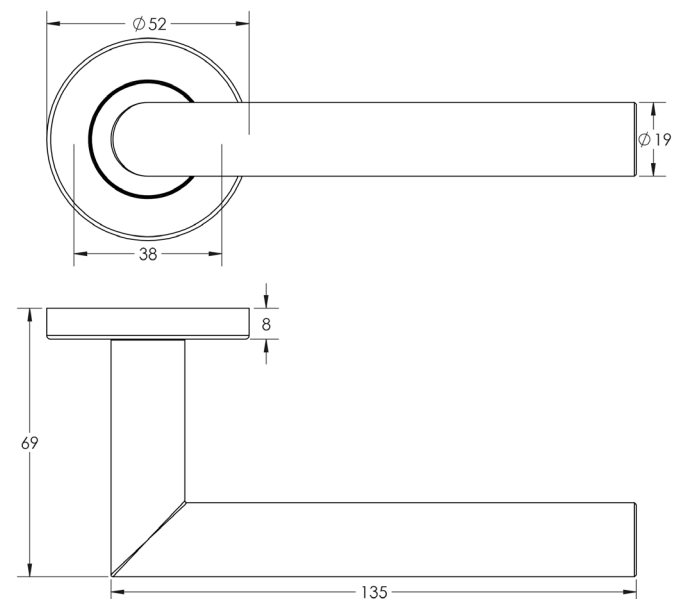
STANDARDS



PRODUCT SPECIFICATION

- Sprung
- Suitable door thickness - 44-54mm
- Grade 4 corrosion

TECHNICAL DRAWING



FINISHES

- Satin Stainless Steel