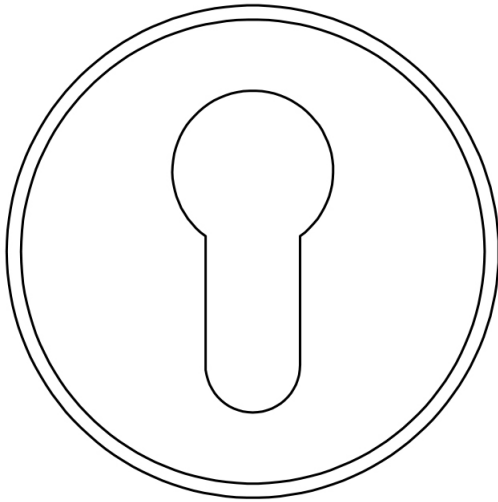


**COMMERCIAL**  
**STAINLESS STEEL**



CODE

JSS18

DESCRIPTION

Euro Escutcheon - Round

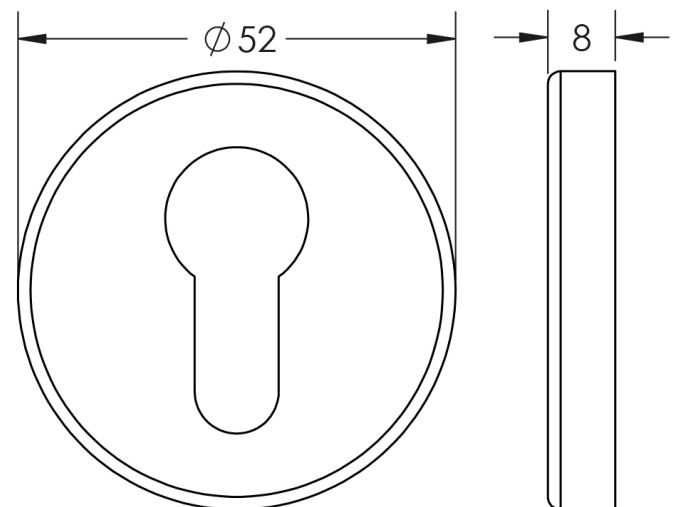
STANDARDS



PRODUCT SPECIFICATION

- Grade 5 corrosion

TECHNICAL DRAWING



FINISHES

- Satin Stainless Steel