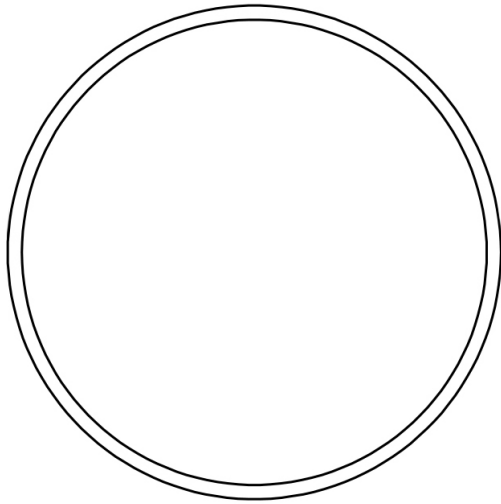


**COMMERCIAL**  
**STAINLESS STEEL**



**CODE**

JSS14B

**DESCRIPTION**

Blank Escutcheon - Round

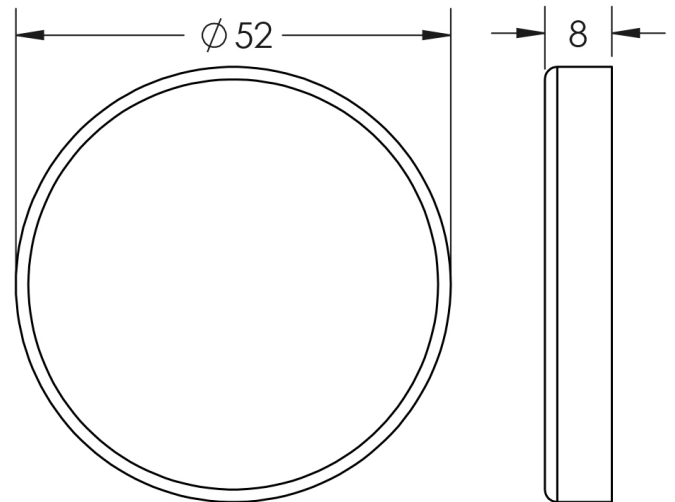
**STANDARDS**



**PRODUCT SPECIFICATION**

- Grade 5 corrosion

**TECHNICAL DRAWING**



**FINISHES**

- Satin Stainless Steel