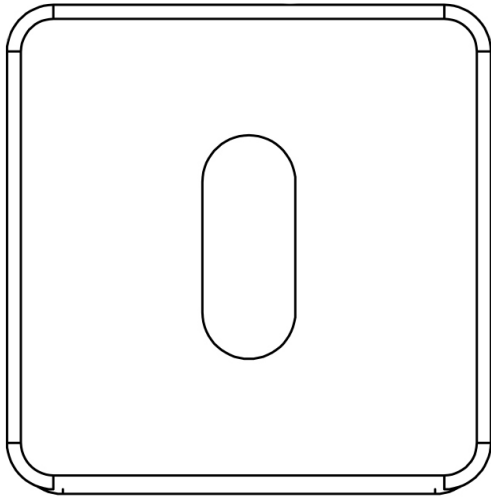


COMMERCIAL
STAINLESS STEEL



CODE

JSS10

DESCRIPTION

Standard Escutcheon - Square

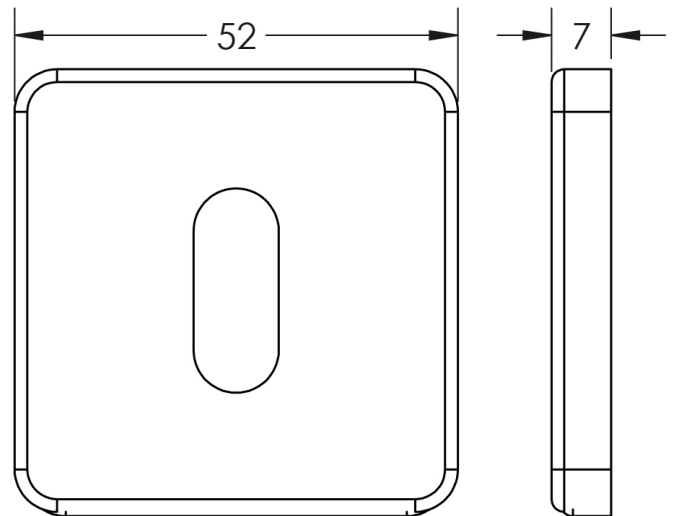
STANDARDS



PRODUCT SPECIFICATION

- Grade 5 corrosion

TECHNICAL DRAWING



FINISHES

- Satin Stainless Steel