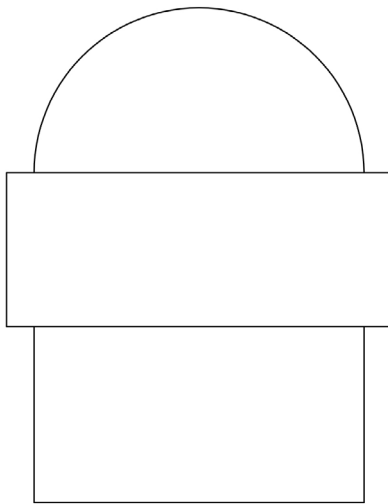


**COMMERCIAL**  
**STAINLESS STEEL**



**CODE**

JSS09

**DESCRIPTION**

Dome Top Door Stop

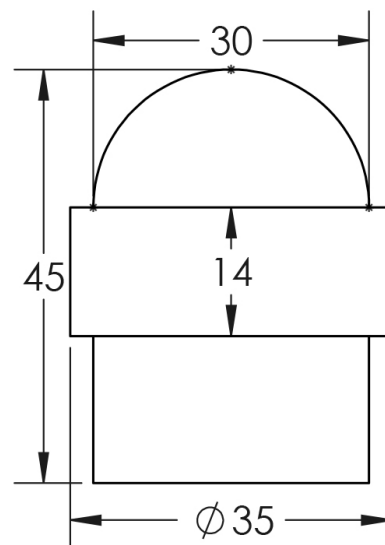
**STANDARDS**



**PRODUCT SPECIFICATION**

- Grade 5 corrosion
- *We strongly recommend requesting a sample before committing to any cutting or drilling*

**TECHNICAL DRAWING**



**FINISHES**

- Satin Stainless Steel