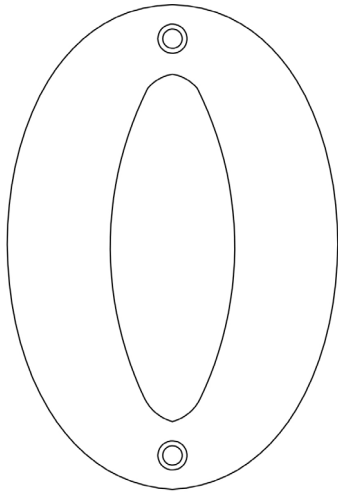


**COMMERCIAL**  
**STAINLESS STEEL**



**CODE**

JSS 0-9

**DESCRIPTION**

Face Fix Numerals

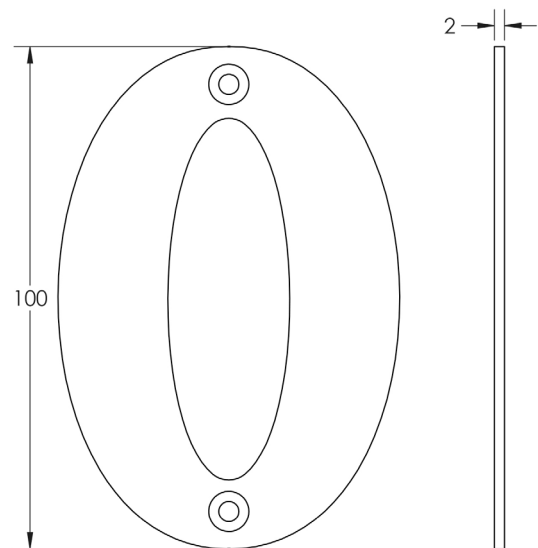
**STANDARDS**



**PRODUCT SPECIFICATION**

- *Grade 5 corrosion*
- *We strongly recommend requesting a sample before committing to any cutting or drilling*

**TECHNICAL DRAWING**



**FINISHES**

- Satin Stainless Steel