

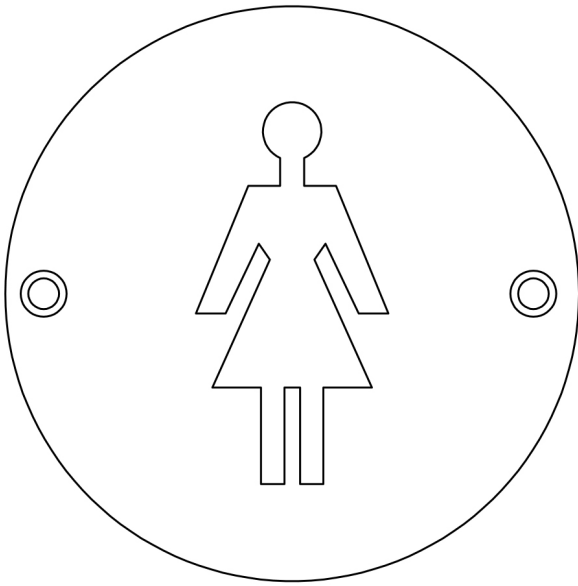
CODE

JS103SAA

DESCRIPTION

Female Sign

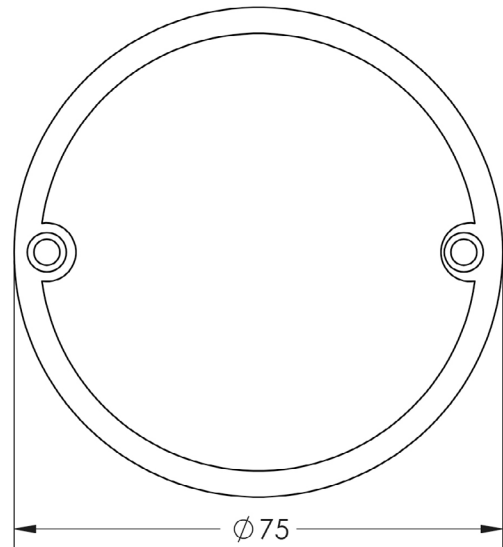
STANDARDS



PRODUCT SPECIFICATION

- Corrosion grade 4
- *We strongly recommend requesting a sample before committing to any cutting or drilling*

TECHNICAL DRAWING



FINISHES

- Satin Anodised Aluminium