

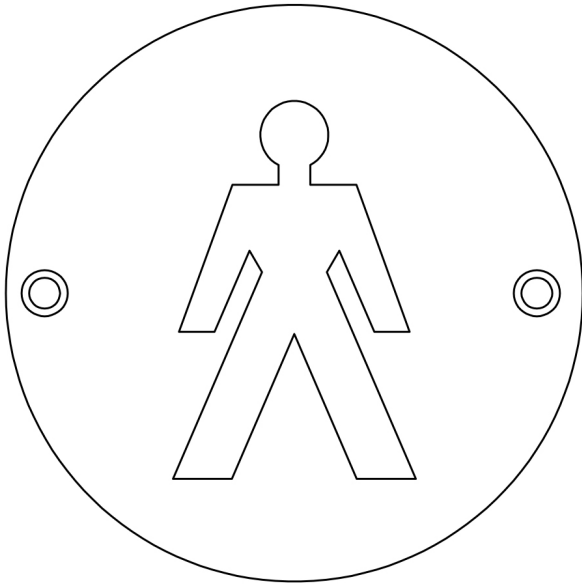
### CODE

JS102SAA

### DESCRIPTION

Male Sign

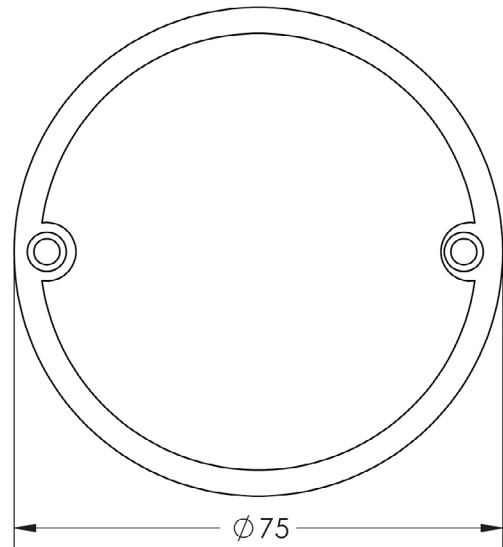
### STANDARDS



### PRODUCT SPECIFICATION

- Corrosion grade 4
- *We strongly recommend requesting a sample before committing to any cutting or drilling*

### TECHNICAL DRAWING



### FINISHES

- Satin Anodised Aluminium