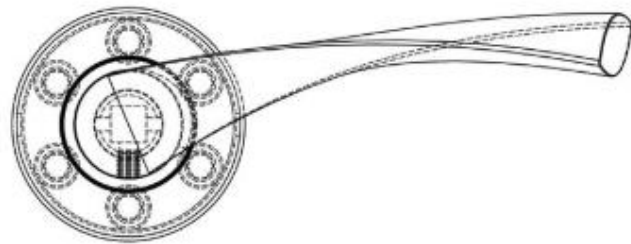
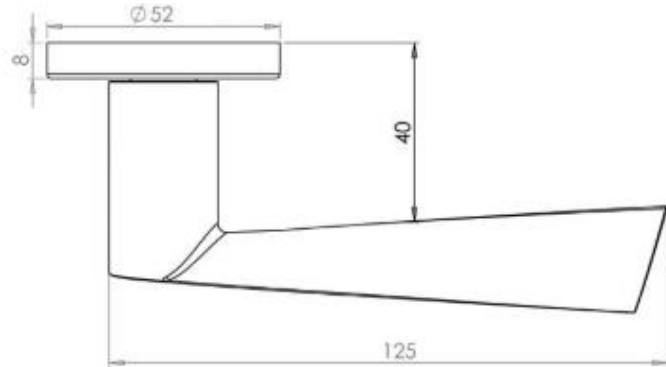


Technical Specification Sheet



Code JMB501

Finishes Matt Black

Product specification



- BS EN 1906 : 2010
- Tested to 200,000 cycles
- Grade 4 category of use
- BS EN 1634-1 FD30/60
- Corrosion grade 3 Evidence WIL 318241
- **Fire Assessment Report Evidence: WF 421627**
- Mechanical evidence WIL 335920A
- Electrophoresis applied finish
- Screw on Round rose
- 38mm Centre Fixing
- Stainless steel
- Interior use only



For more information please contact us today:

Call: 020 8648 1500

Fax: 020 8648 1626

Email: sales@frelan.co.uk

Web: www.frelan.co.uk

Frelan Hardware Ltd, Unit 10 Mitcham Industrial Estate
Streatham Road, Mitcham, Surrey CR4 2AP