

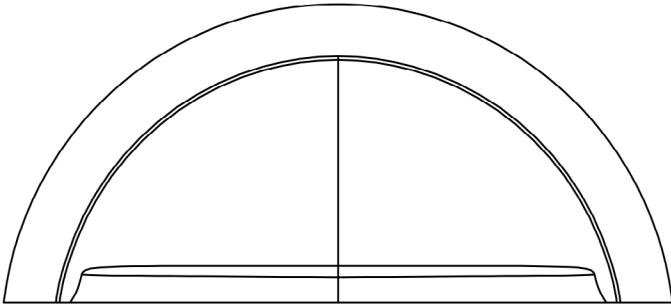
CODE

JMB427

DESCRIPTION

Cup Pull

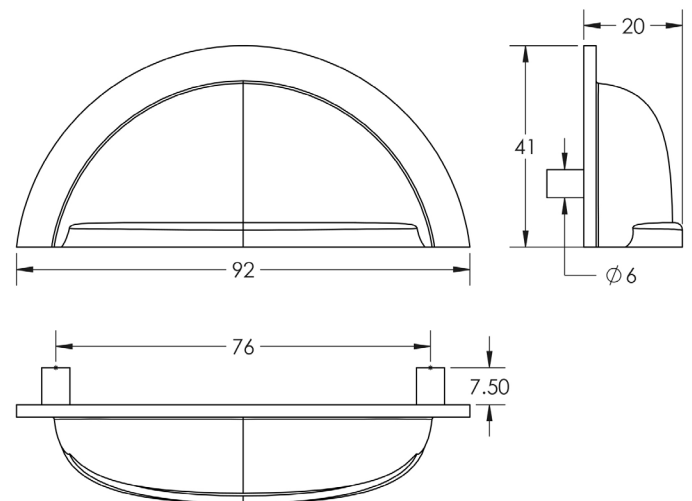
STANDARDS



PRODUCT SPECIFICATION

- Zinc
- Internal use only

TECHNICAL DRAWING



FINISHES

- Matt Black