

TECHNICAL SPECIFICATION

CODE

JGM355 / JMB355

DESCRIPTION

Turn & Release

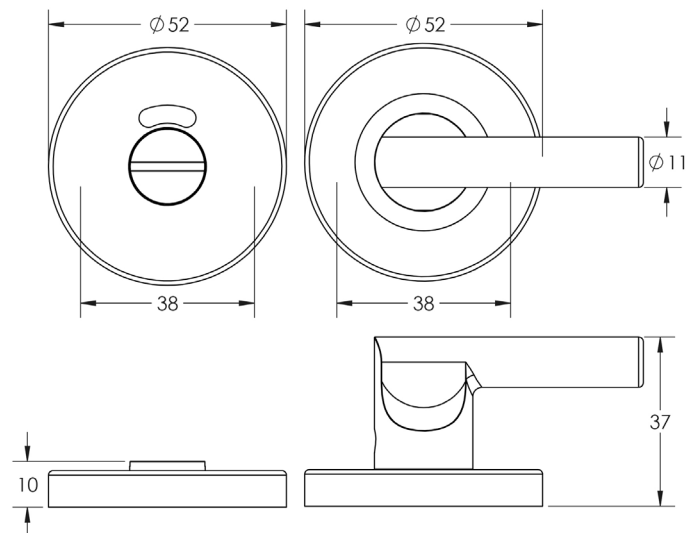
STANDARDS



PRODUCT SPECIFICATION

- Grade 5 corrosion
- PVD finish
- Grade 304 stainless steel
- 38mm centres

TECHNICAL DRAWING



FINISHES

- Gunmetal
- Matt Black