

TECHNICAL SPECIFICATION

CODE

JMB16

DESCRIPTION

Standard Escutcheon

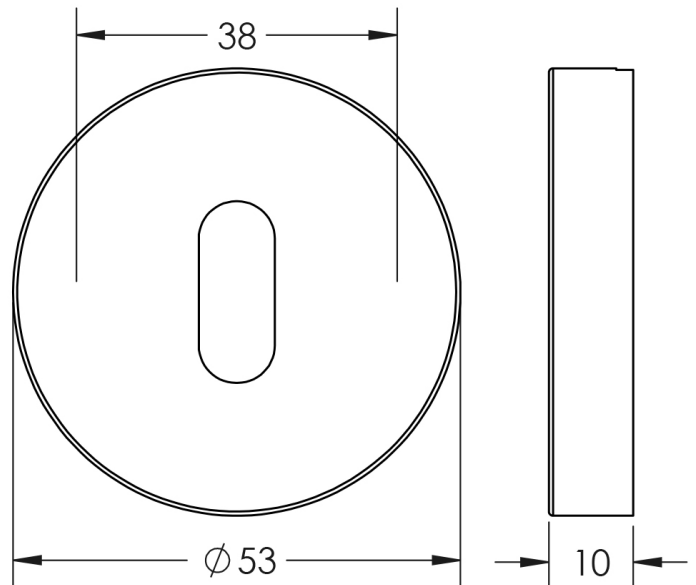
STANDARDS



PRODUCT SPECIFICATION

- Grade 304 stainless steel

TECHNICAL DRAWING



FINISHES

- Matt Black