

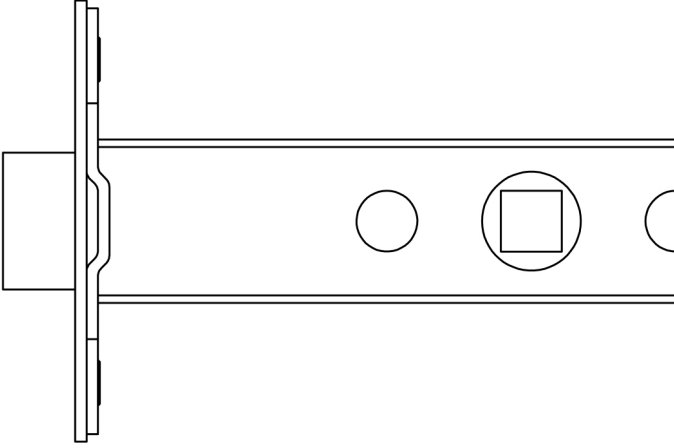
CODE

JL6666S-80

DESCRIPTION

Double Sprung Tubular Latch

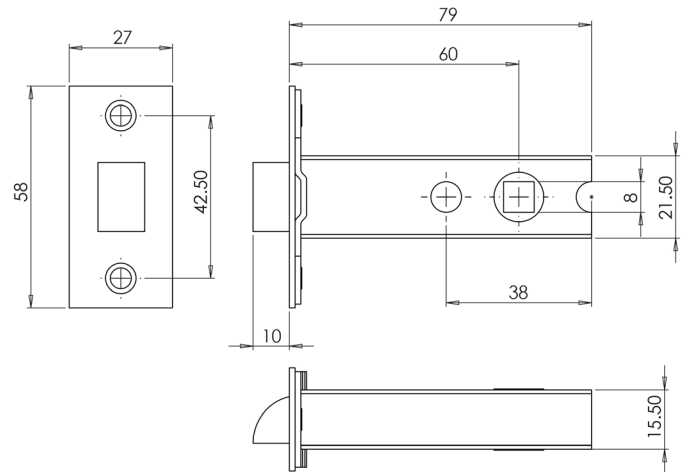
STANDARDS



PRODUCT SPECIFICATION

- Heavy sprung
- Steel

TECHNICAL DRAWING



FINISHES

- Polished Brass / Satin Stainless Steel