

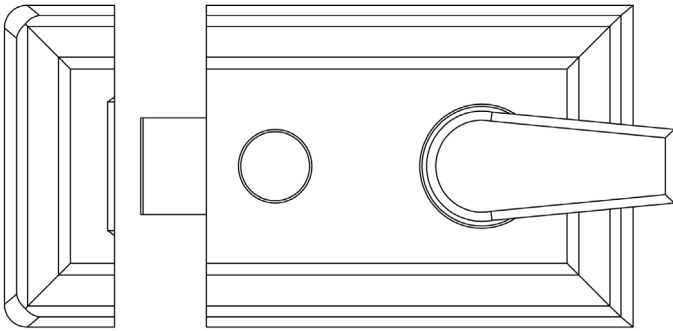
### CODE

JL5021

### DESCRIPTION

Standard Stile Night Latch

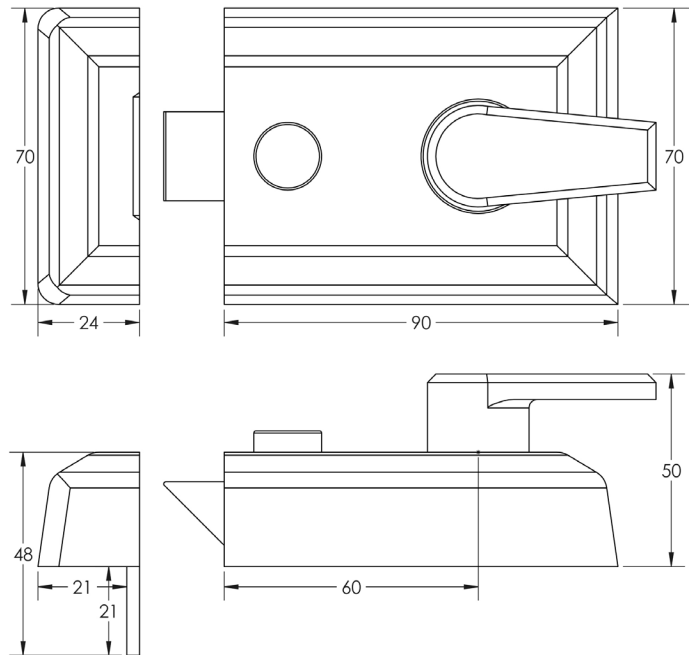
### STANDARDS



### PRODUCT SPECIFICATION

- Sprung
- Steel
- Double locking

### TECHNICAL DRAWING



### FINISHES

- Black
- Polished Brass
- Polished Chrome
- Satin Chrome