

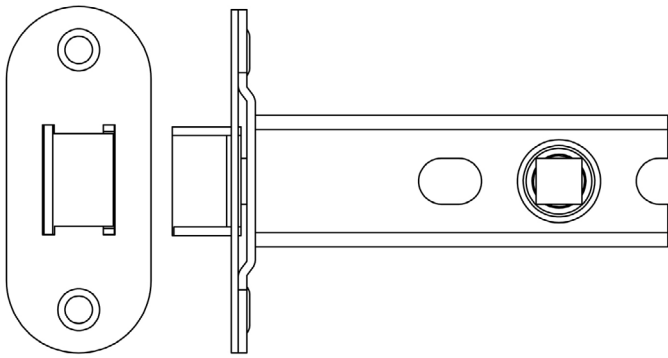
CODE

JL-HDT76R

DESCRIPTION

Heavy Duty Tubular Latch - Radius

STANDARDS

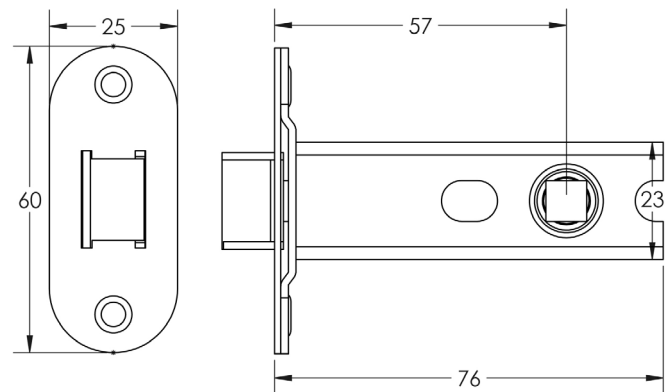


PRODUCT SPECIFICATION

- Sprung
- Suitable door thickness: 35-54mm
- Grade 3 corrosion
- Available in square

- *We strongly recommend requesting a sample before committing to any cutting or drilling*

TECHNICAL DRAWING



FINISHES

- Satin Stainless Steel **JL-HDT76RSS**