

CODE

JL-HDT76

DESCRIPTION

Heavy Duty Tubular Latch - Square

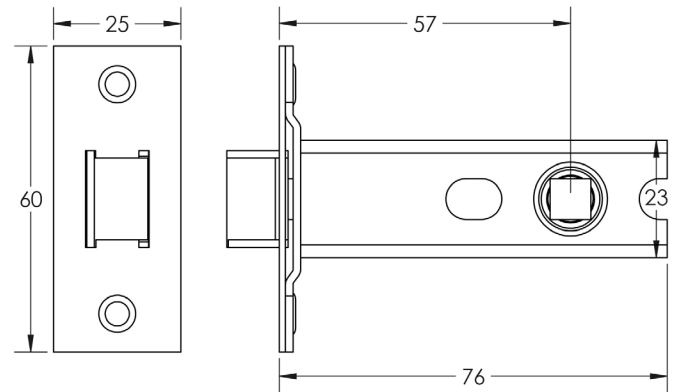
STANDARDS



PRODUCT SPECIFICATION

- Sprung
- Suitable door thickness: 35-54mm
- Grade 3 corrosion
- Available in radius
- *We strongly recommend requesting a sample before committing to any cutting or drilling*

TECHNICAL DRAWING



FINISHES

	Antique Brass	JL-HDT76AB
	Black	JL-HDT76BL
	Dark Bronze	JL-HDT76DB
	Gun Metal	JL-HDT76GM
	Polished Stainless Steel	JL-HDT76PSS
	PVD Brass	JL-HDT76PVD
	Satin Brass	JL-HDT76SB
	Satin Stainless Steel	JL-HDT76SS