

CODE

JL-HDT64

DESCRIPTION

Heavy Duty Tubular Latch - Square

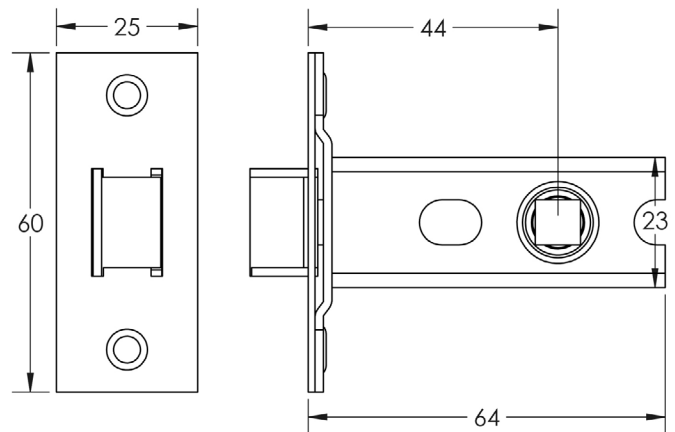
STANDARDS



PRODUCT SPECIFICATION

- Sprung
- Suitable door thickness: 35-54mm
- Grade 3 corrosion
- Available in radius
- *We strongly recommend requesting a sample before committing to any cutting or drilling*

TECHNICAL DRAWING



FINISHES

	Antique Brass	<b>JL-HDT64AB</b>
	Black	<b>JL-HDT64BL</b>
	Dark Bronze	<b>JL-HDT64DB</b>
	Gun Metal	<b>JL-HDT64GM</b>
	Polished Stainless Steel	<b>JL-HDT64PSS</b>
	PVD Brass	<b>JL-HDT64PVD</b>
	Satin Brass	<b>JL-HDT64SB</b>
	Satin Stainless Steel	<b>JL-HDT64SS</b>