

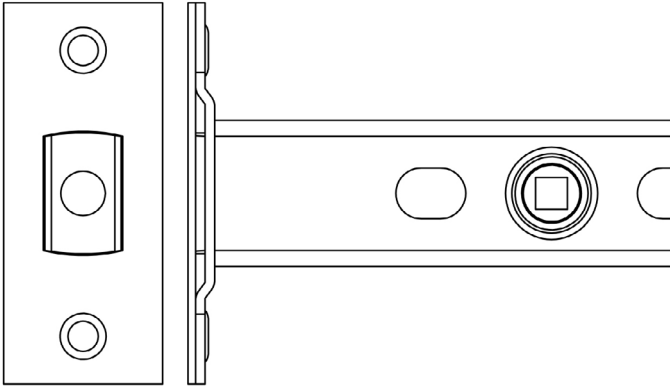
### CODE

JL-HDB76

### DESCRIPTION

Heavy Duty Deadbolt

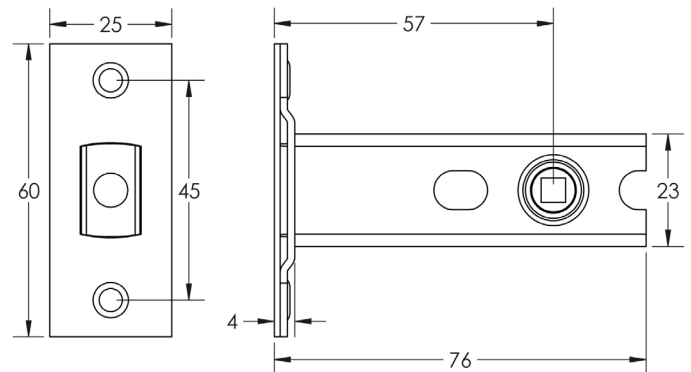
### STANDARDS



### PRODUCT SPECIFICATION

- Sprung
- Suitable door thickness: 35-54mm
- Grade 4 corrosion
- Available in radius
- *We strongly recommend requesting a sample before committing to any cutting or drilling*

### TECHNICAL DRAWING



### FINISHES

	Antique Brass	<b>JL-HDB76AB</b>
	Black	<b>JL-HDB76BL</b>
	Dark Bronze	<b>JL-HDB76DB</b>
	Gun Metal	<b>JL-HDB76GM</b>
	Polished Stainless Steel	<b>JL-HDB76PSS</b>
	PVD Brass	<b>JL-HDB76PVD</b>
	Satin Brass	<b>JL-HDB76SB</b>
	Satin Stainless Steel	<b>JL-HDB76SS</b>