

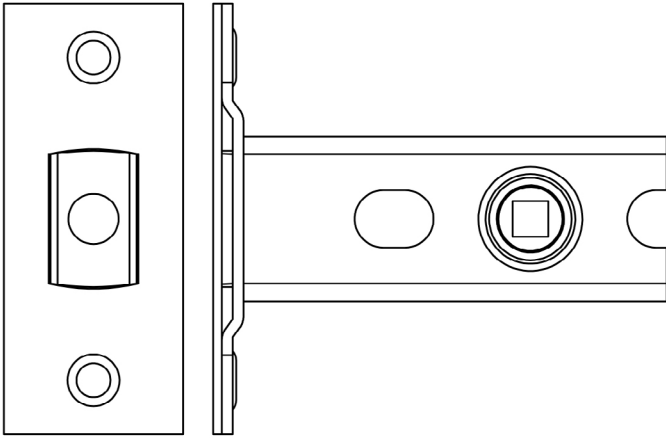
CODE

JL-HDB64

DESCRIPTION

Heavy Duty Deadbolt

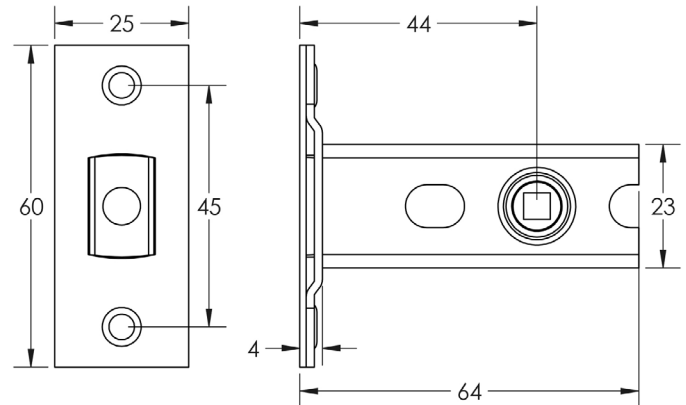
STANDARDS



PRODUCT SPECIFICATION

- Sprung
- Suitable door thickness: 35-54mm
- Grade 4 corrosion
- Available in radius
- *We strongly recommend requesting a sample before committing to any cutting or drilling*

TECHNICAL DRAWING



FINISHES

	Antique Brass	JL-HDB64AB
	Black	JL-HDB64BL
	Dark Bronze	JL-HDB64DB
	Gun Metal	JL-HDB64GM
	Polished Stainless Steel	JL-HDB64PSS
	PVD Brass	JL-HDB64PVD
	Satin Brass	JL-HDB64SB
	Satin Stainless Steel	JL-HDB64SS