

### CODE

JL-DS60

### DESCRIPTION

72mm Sashlock - Square Plate

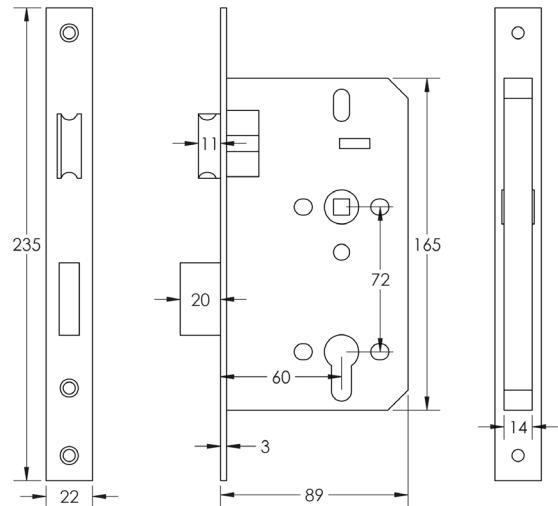
### STANDARDS



### PRODUCT SPECIFICATION

- Sprung
- Suitable door thickness: 35-54mm
- Grade 3 corrosion
- Available in radius plate
- Grip tight follower spring
- *We strongly recommend requesting a sample before committing to any cutting or drilling*

### TECHNICAL DRAWING



### CLASSIFICATIONS

Category Of Use	Durability	Door Mass	Fire Resistance	Safety	Corrosion Resistance	Security	Field Of Door	Type Of Key	Type Of Spindle	Key Identification
3	X	8	1	0	G	2	B	C	2	0

### FINISHES

- Antique Brass
- Dark Bronze
- Matt Black
- Satin Brass
- Stainless Steel