

CODE

JL-DNL60R

DESCRIPTION

Nightlatch - Radius Plate

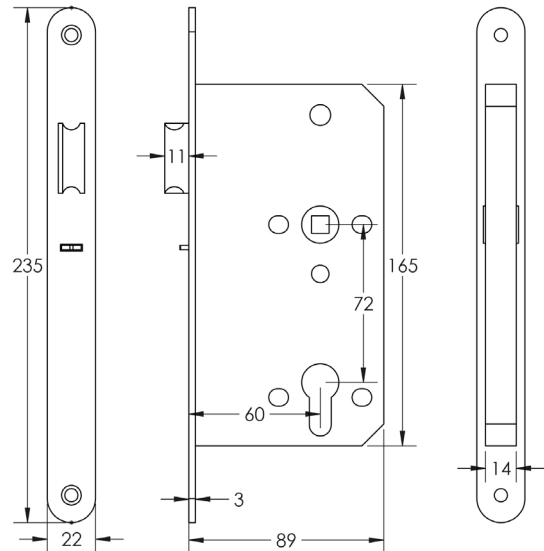
STANDARDS



PRODUCT SPECIFICATION

- Sprung
- Suitable door thickness: 35-54mm
- Grade 3 corrosion
- Available in square plate
- Grip tight follower spring
- *We strongly recommend requesting a sample before committing to any cutting or drilling*

TECHNICAL DRAWING



CLASSIFICATIONS

| Category Of Use | Durability | Door Mass | Fire Resistance | Safety | Corrosion Resistance | Security | Field Of Door | Type Of Key | Projection Of Device |
|-----------------|------------|-----------|-----------------|--------|----------------------|----------|---------------|-------------|----------------------|
| 3 | 7 | 6 | B | 1 | 3 | 4 | D/B | A | 2 |

FINISHES

- Antique Brass
- Dark Bronze
- Matt Black
- Satin Brass
- Stainless Steel