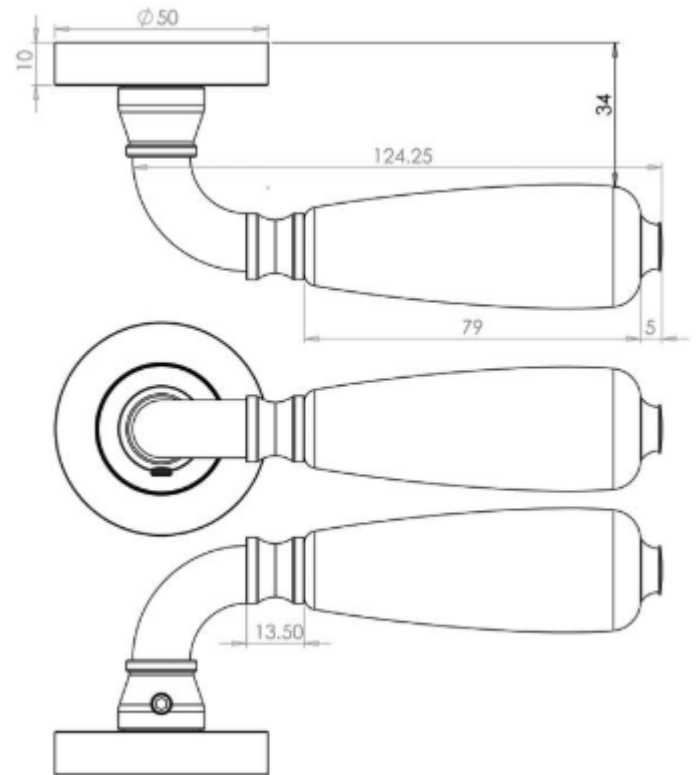


Technical Specification Sheet

FRELAN

HARDWARE



Code JC6002

Finishes PC

Product specification

- BS EN 1906 : 2010
- Tested to 200000 cycles
- Grade 4 category of use
- BS EN 1634-1 FD30
- Corrosion grade 3 Evidence WIL 318241
- **Fire Assessment Report Evidence:** WF 421627
- Mechanical evidence WIL 335920A
- 38mm Centre Fixing
- Zinc and white china
- Interior use only



FRELAN

HARDWARE

For more information please contact us today:

Call: 020 8648 1500

Fax: 020 8648 1626

Email: sales@frelan.co.uk

Web: www.frelan.co.uk

Frelan Hardware Ltd, Unit 10 Mitcham Industrial Estate
Streatham Road, Mitcham, Surrey CR4 2AP