

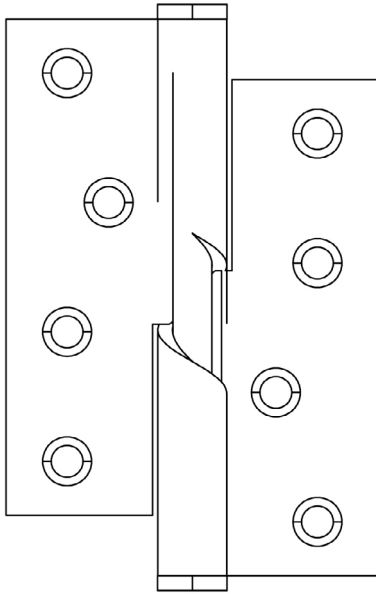
### CODE

J9510RH

### DESCRIPTION

Stainless Steel Rising Butt Hinge

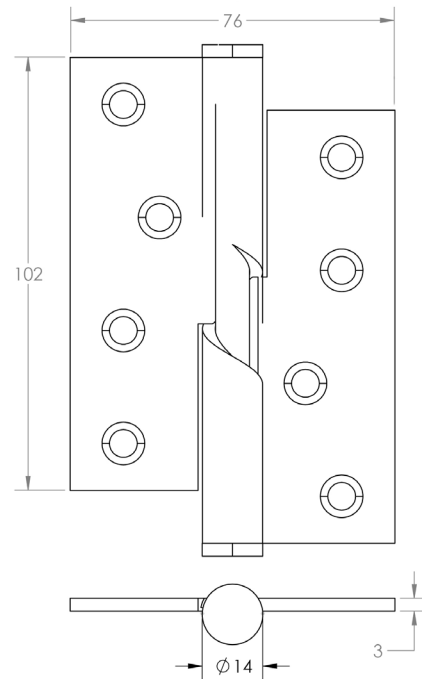
### STANDARDS



### PRODUCT SPECIFICATION

- Grade 201 stainless steel
- Size: 102x76x3mm

### TECHNICAL DRAWING



### FINISHES

- Polished Stainless Steel
- Satin Stainless Steel