

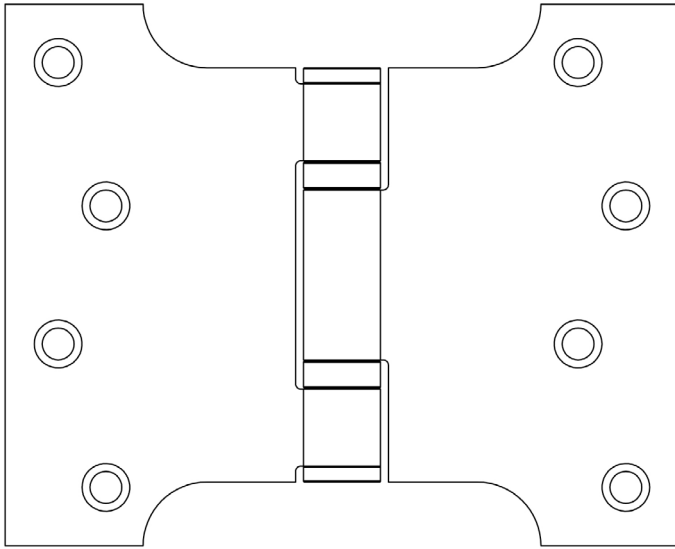
### CODE

J9459

### DESCRIPTION

Stainless Steel Ball Bearing Parliament Hinge

### STANDARDS



### PRODUCT SPECIFICATION

- Size: 102x127x3mm
- Suitable for 40kg doors when using 3 hinges
- *We strongly recommend requesting a sample before committing to any cutting or drilling*

### FINISHES

- Antique Brass
- Matt Black
- PVD Brass
- Satin Brass
- Satin Stainless Steel

### TECHNICAL DRAWING

