

### CODE

J5640A / J5640B

### DESCRIPTION

Lever Action Flush Bolt

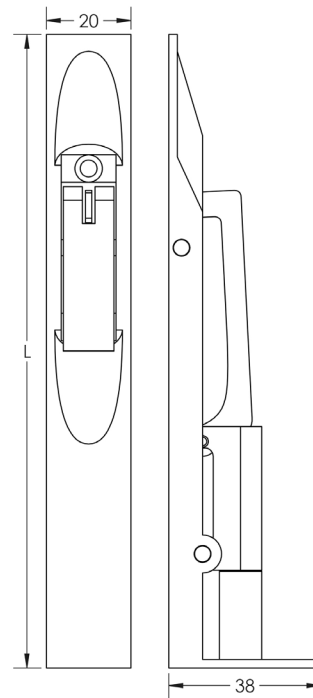
### STANDARDS



### PRODUCT SPECIFICATION

- Sprung
- Aluminium

### TECHNICAL DRAWING



### FINISHES

- Satin Anodised Aluminium

CODE	LENGTH (L)
J5640A	155mm
J5640B	200mm