

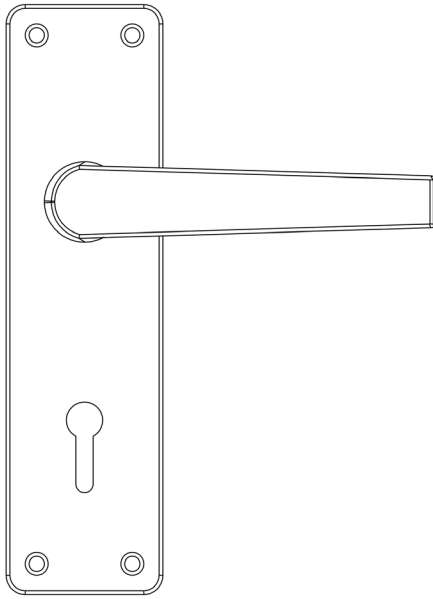
CODE

J5601

DESCRIPTION

Lever Latchset - Euro

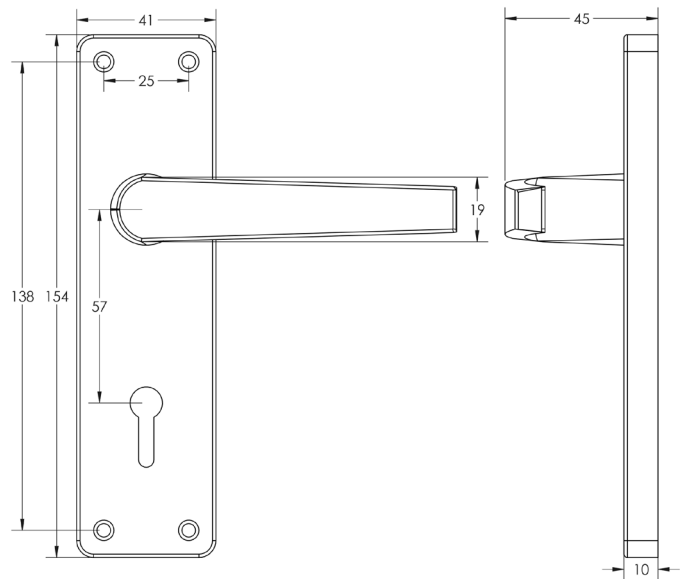
STANDARDS



PRODUCT SPECIFICATION

- Sprung
- Aluminium

TECHNICAL DRAWING



FINISHES

- Satin Anodised Aluminium