

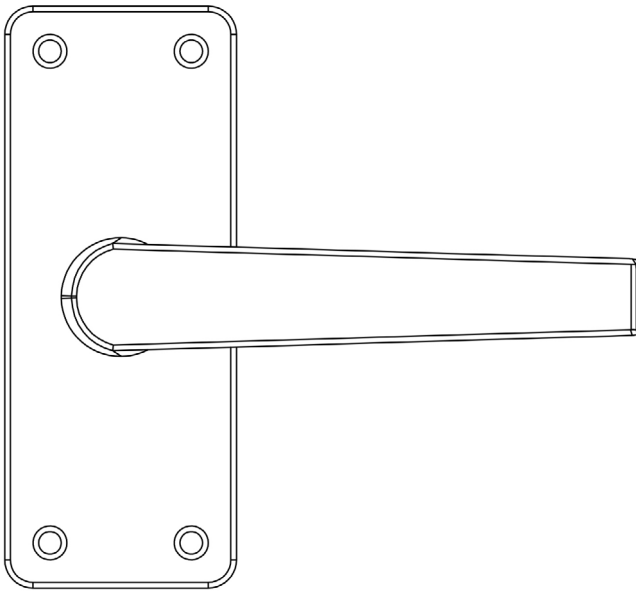
### CODE

J5600

### DESCRIPTION

Lever Latchset - Short Plate

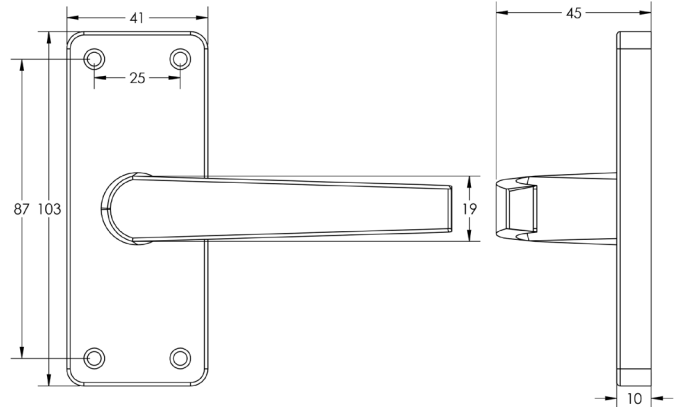
### STANDARDS



### PRODUCT SPECIFICATION

- Sprung
- Aluminium

### TECHNICAL DRAWING



### FINISHES

- Satin Anodised Aluminium