

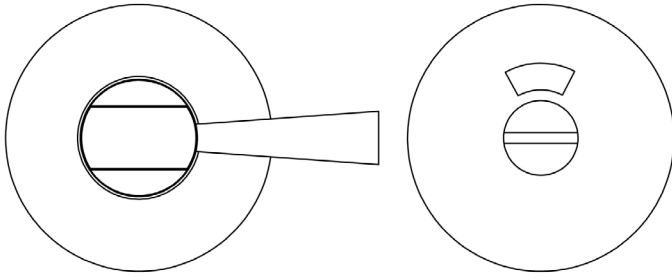
CODE

J4649B

DESCRIPTION

Easy Turn & Release

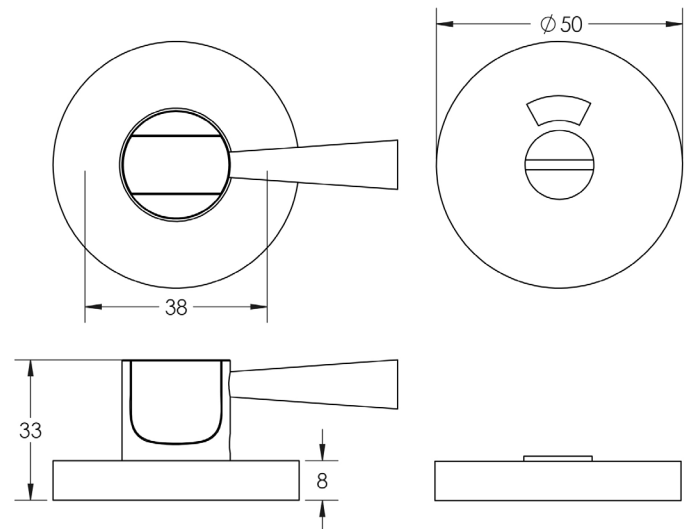
STANDARDS



PRODUCT SPECIFICATION

- Aluminium

TECHNICAL DRAWING



FINISHES

-  Satin Anodised Aluminium