

CODE

J4303

DESCRIPTION

Hat & Coat Hook

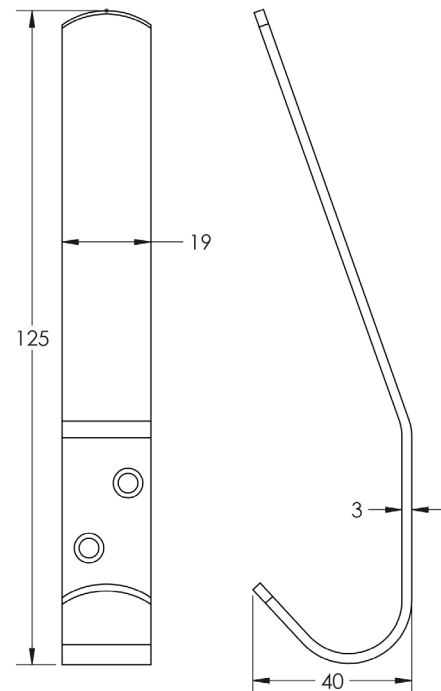
STANDARDS



PRODUCT SPECIFICATION

- Aluminium

TECHNICAL DRAWING



FINISHES

- Satin Anodised Aluminium